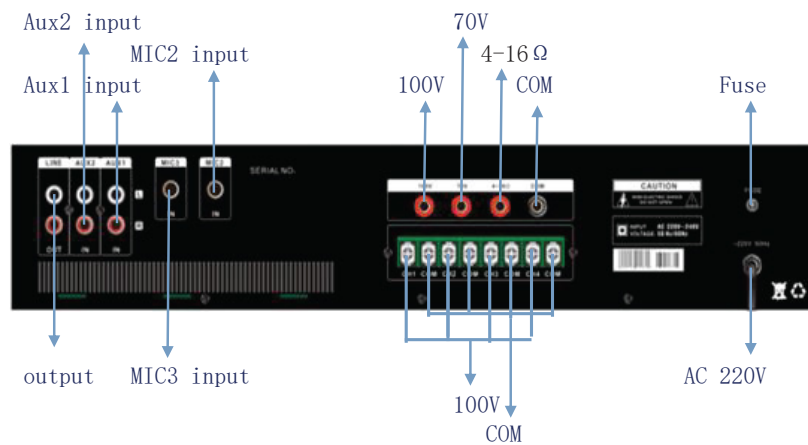


# AMPLIFIER

## A-BT-4Z-280W



|                      |  |
|----------------------|--|
| Model:               | A-BT-4Z-280W                               |
| Line voltage:        | 70-100V                                    |
| Impedance:           | 4-16Ω                                      |
| Rated power output:  | 280W                                       |
| Weight:(kg)          | 13   |
| Gross weight:(kg)    | 14.28                                      |
| Dimension:           | 485*395*90mm                               |
| Frequency Responses: | 60Hz-15KHz                                 |
| Power Supply:        | 110V/60Hz or 230V/50Hz                     |
| Protection:          | AC fuse,short-circuit and high temperature |

### Function:

1. Transformer isolated 100V, 70V and 4-16 Ohms speaker output, balanced, no grounding with 100V and 0db input.
2. 5 LED indicators for status display.
3. XLR socket and 6.35 mm jack for amplifier link.
4. Output circuit shorting protection & display, Short-circuit warning and protection, over-heat warning.
5. Series amplifiers of high output power available.