



AYZO

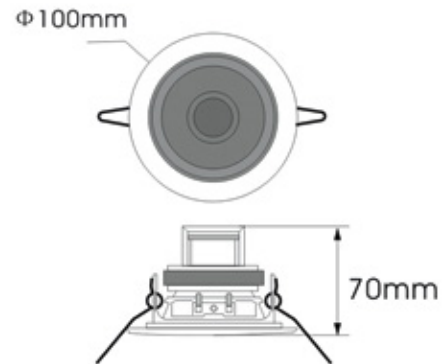
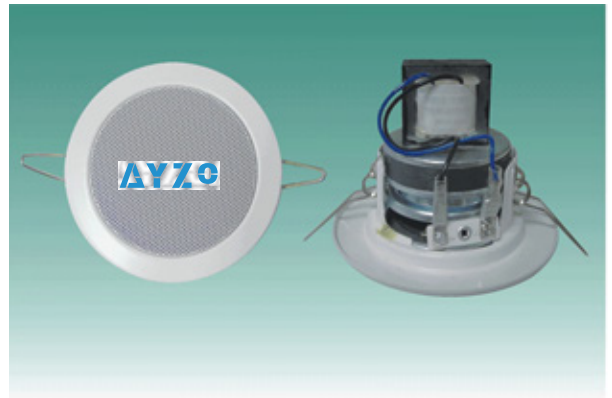
SECURING BUSINESS SECURING LIVES

CEILING SPEAKER CS-2.5-6W

General Specification	
Type	CS-2.5-6W
Frequency Response	120-20KHZ
S.P.L	91dB at 100V 3W
Sensitivity	87dB
Power Handling	6W
Power Taps	3W/6W
Line Input	100V
Hole For Mounting	Φ80
Dimension(D*H)	Φ 100*70

Physical Specification	
Material	Iron (RAL 9016)
Grill	Powder Coated Aluminium Mesh
Component	" 2.5
Finished Color	White (RAL 9016)
Unit Weight	0.35 kg
Gross Weight	11Kg/24pcs
Packing Dimension	510*480*240mm

Speaker Specification	
Voice Coil Size	PSVΦ13.28*0.09*2layer
DC Impedance	7.2Ω
Former	Paper
Magnet	Ferrite (95g)
	Φ55*Φ24*8 (Y25)
Basket	Iron
Cone Material	Paper
Spider	Cloth
Dust Cap	Paper
Net Weight	210gm





AYZO

SECURING BUSINESS SECURING LIVES

CEILING SPEAKER CS-2.5-6W

