

6.5" CEILING SPEAKER

CS-5-6W



FEATURES

- Commercial ceiling speaker with 100V transformer
- 100V power taps 6-3W
- 6.5" full range paper driver unit
- Metal enclosure and metal grille in white
- In-ceiling quick installation by spring clip

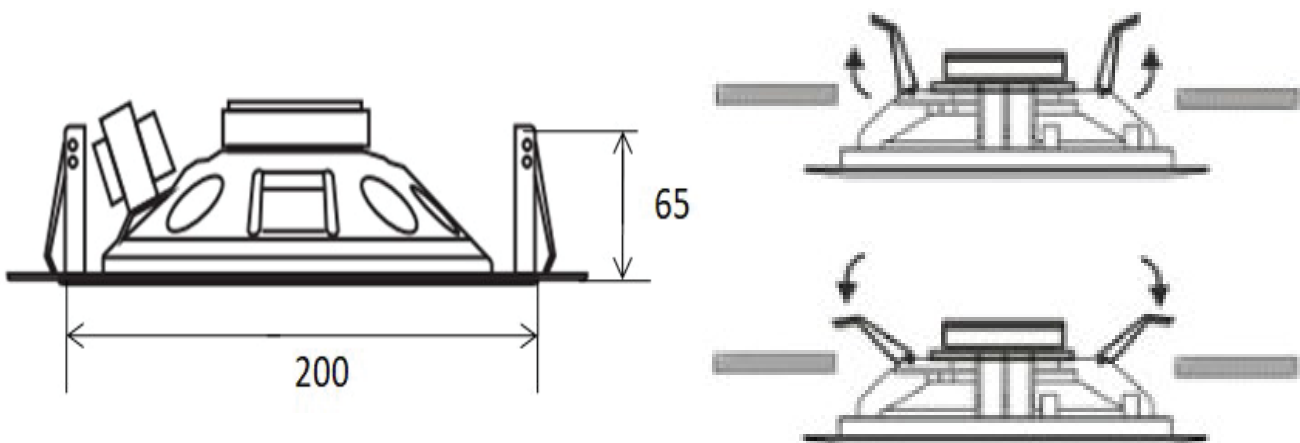
SPECIFICATION:

Model	CS-5-6W
Description	6.5" Ceiling Speaker
Power Taps	6-3W
Frequency Response	100-18KHz
SPL(@1W/m)	92±3dB
Speaker Unit	6.5" full range paper cone
Cutout Size	Ø 175mm
Dimension	Ø 200×65mm
Material	Metal enclosure and metal grille in white
Weight	0.7kg

6.5" CEILING SPEAKER CS-5-6W

DIMENSION & MOUNTING:

6.5" Ceiling Speaker



FREQUENCY RESPONSE & IMPEDANCE:

