

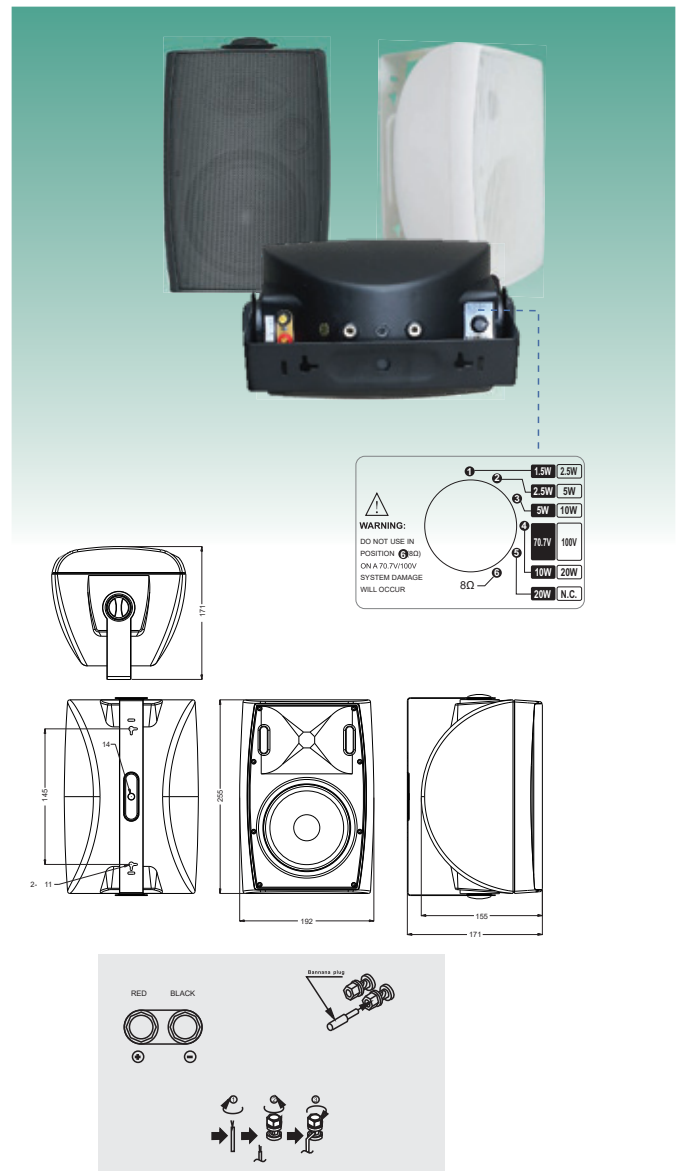


## WALL MOUNTED SPEAKER WS-MT-5-30W

General Specification	
Type	WS-MT-5-30W
Frequency Response	90-20KHz
Sensitivity	88±3dB
Power Handling	30W
Power Power Taps	3.75/7.5/15/30w
Line input	100V/70V/8Ω
Dimension(L*W*H)(mm)	255*192*155

Physical Specification	
Material	HIPS
Grill	Powder Coated Iron Mesh
Component(L.Speaker)	5" PP Woofer
Component(H.Speaker)	1" Silk
Finished Colour	White/Black
Unit Weight	3.24Kg
Gross Weight	20Kg/6 pcs
Packing Dimension(cm)	18.5×18.5×31cm

Woofer Speaker Specification	
Voice Coil Size	Φ 25.5*Φ 0.17*2T
DC Impedance	7Ω
Former	Asv
Magnet	Ferrite Φ 25.5 *Φ 0.17*2T
Basket	Iron
Cone Material	PP
Spider	Cloth
Dust cap	PP
Net Weight	3.04kg





**AYZO**  
SECURING BUSINESS SECURING LIVES

# WALL MOUNTED SPEAKER WS-MT-5-30W

